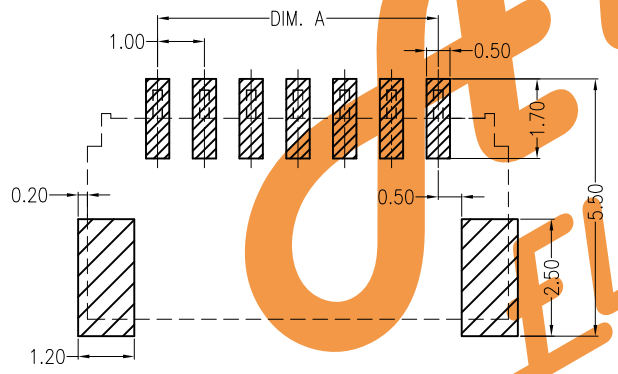
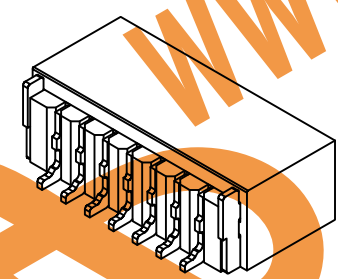
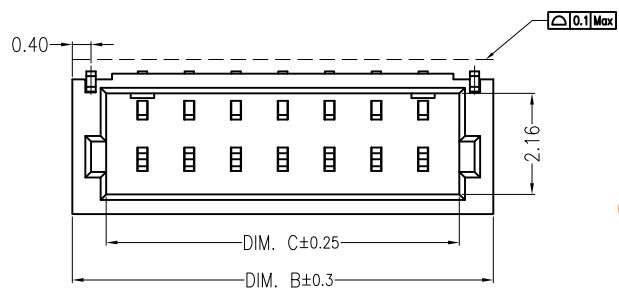


Assembly Layout

**Specifications:**

- Contact resistance: ≤20mΩ
- Insulation resistance: ≥100MΩ
- Rated voltage: 50V AC DC
- Rated current: 1.0A AC DC
- Withstand voltage: 500V AC/minute
- Temperature range: -25°C ~ +85°C
- Housing: LCP UL94V-0 (Natural/Black)
- Contacts: Phosphor bronze (Matte sn/Gold plating)
- Solder tabs: Phosphor bronze/Matte sn



Recommend PCB Layout

Circuit	Dimensions (mm)		
	DIM. A	DIM. B	DIM. C
02	1.00	4.00	2.45
03	2.00	5.00	3.45
04	3.00	6.00	4.45
05	4.00	7.00	5.45
06	5.00	8.00	6.45
07	6.00	9.00	7.45
08	7.00	10.00	8.45
09	8.00	11.00	9.45
10	9.00	12.00	10.45
11	10.00	13.00	11.45
12	11.00	14.00	12.45
13	12.00	15.00	13.45
14	13.00	16.00	14.45
15	14.00	17.00	15.45
16	15.00	18.00	16.45
20	19.00	22.00	20.45



**AsA Electronic Co.**

Tel : (+98) 21 66 73 56 82 Mob : (+98) 912 03 161 02

GENERAL TOLERANCE X. ±0.50 X. ±5' X.X ±0.30 X.X ±2' X.XX ±0.20 X.XX ±1'	USE: CUSTOMER	TITLE: 1.0mmPITCH 90°WAFER SMT TYPE	
	APPD: Shaojinghe		
	CHKD: Zlinglingqing		
UNITS: mm	DR: Jiangjianyin	SCALE 1 : 1	SHEET 1 / 1